

* Dimensions may vary depending on structural design and size of insulation material.

All measurements in mm



TECHNICAL INSULATION



Subject: A-30 Steel Deck

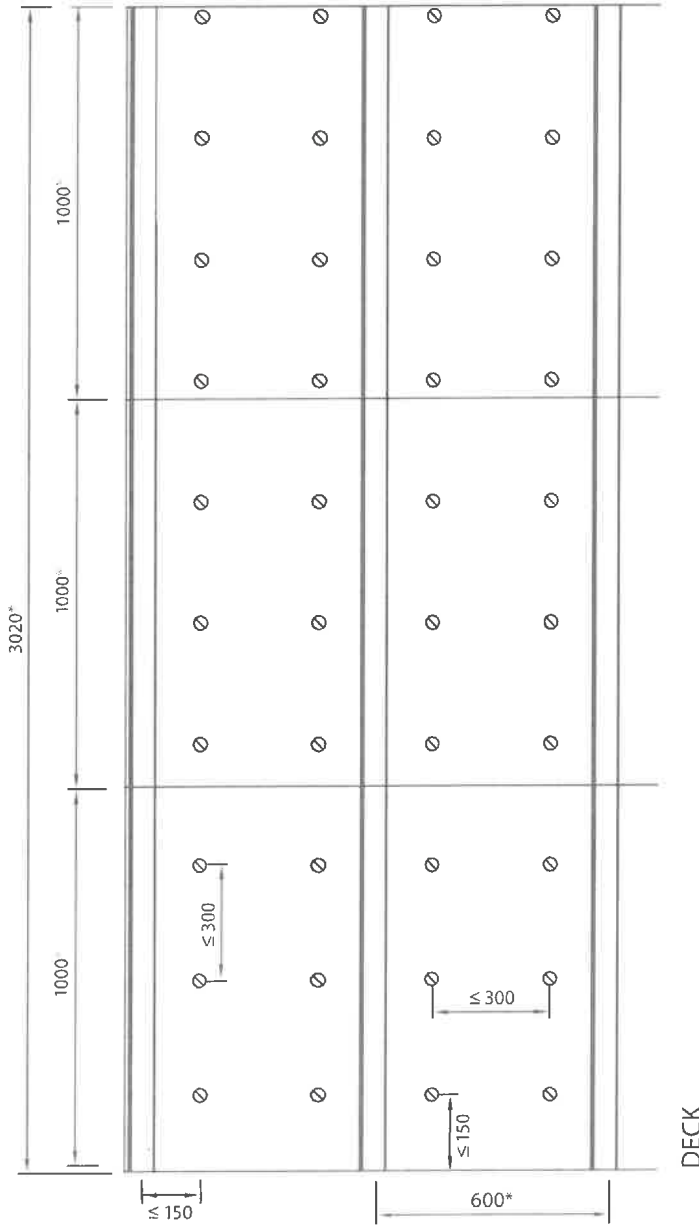
Plate: SeaRox FB/FM 6050 or SeaRox FB/FM 6040

Stiffener: SeaRox FB/FM 6050 or SeaRox FB/FM 6030/6040

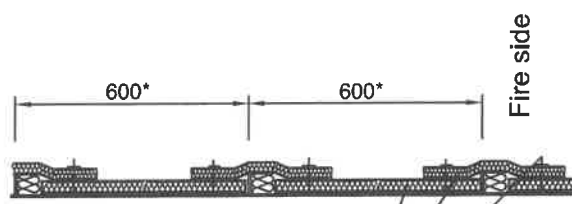
Date: 2021/10/25

Designer: DG

Drawing No.210-1 / Rev 2



* Dimensions may vary depending on structural design and size of insulation material. All measurements in mm



30 mm SeaRox FB/FM 6050 or
 35 mm SeaRox FB/FM 6040 between stiffeners and
 30 mm SeaRox FB/FM 6050 or
 30 mm SeaRox FB/FM 6030/6040 over the stiffeners

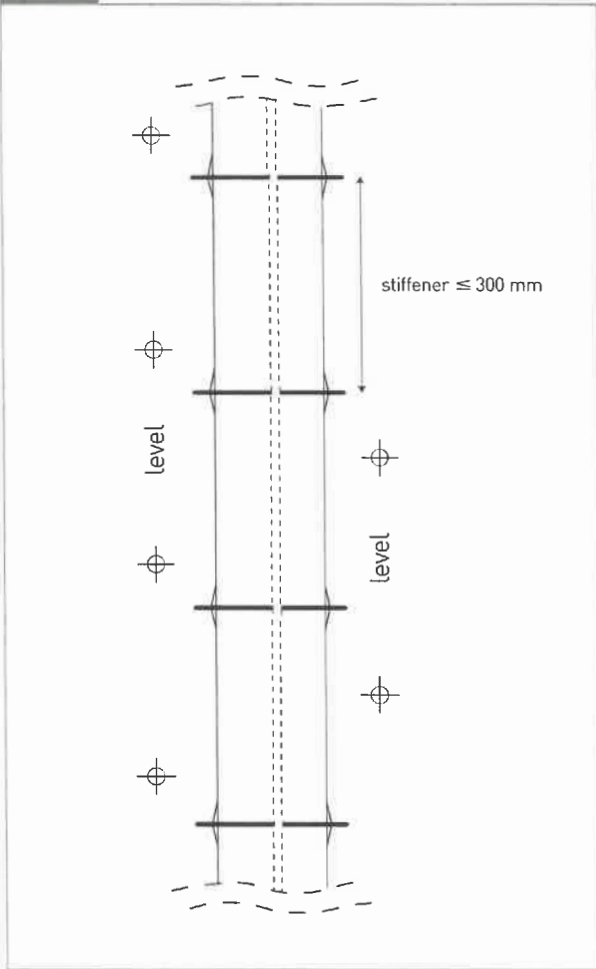
3 mm steel pin
 with washer



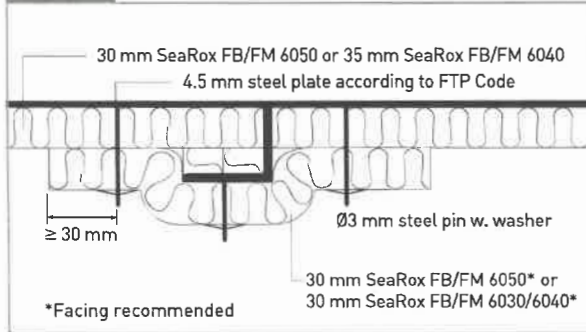
Subject: A-30 Steel Deck
 Plate: SeaRox FB/FM 6050 or SeaRox FB/FM 6040
 Stiffener: SeaRox FB/FM 6050 or SeaRox FB/FM 6030/6040



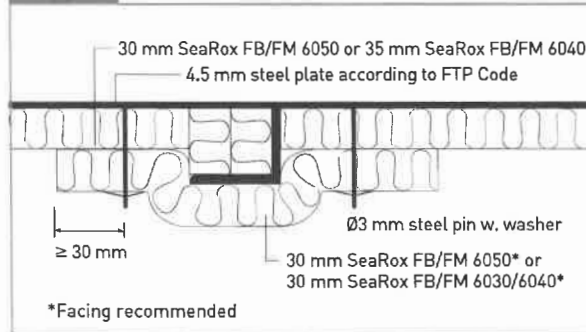
TOP VIEW



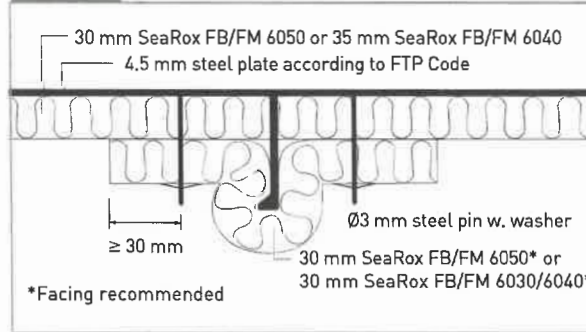
SECTION A



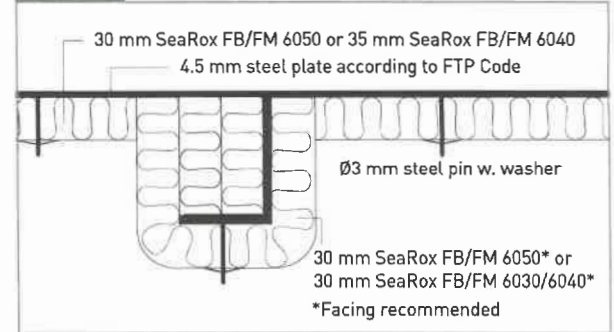
SECTION B



SECTION C



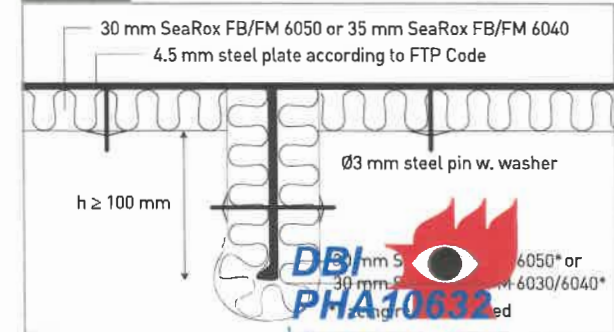
SECTION D



SECTION E



SECTION F



TECHNICAL INSULATION

Subject: A-30 Steel Deck

Plate: SeaRox FB/FM 6050 or SeaRox FB/FM 6040

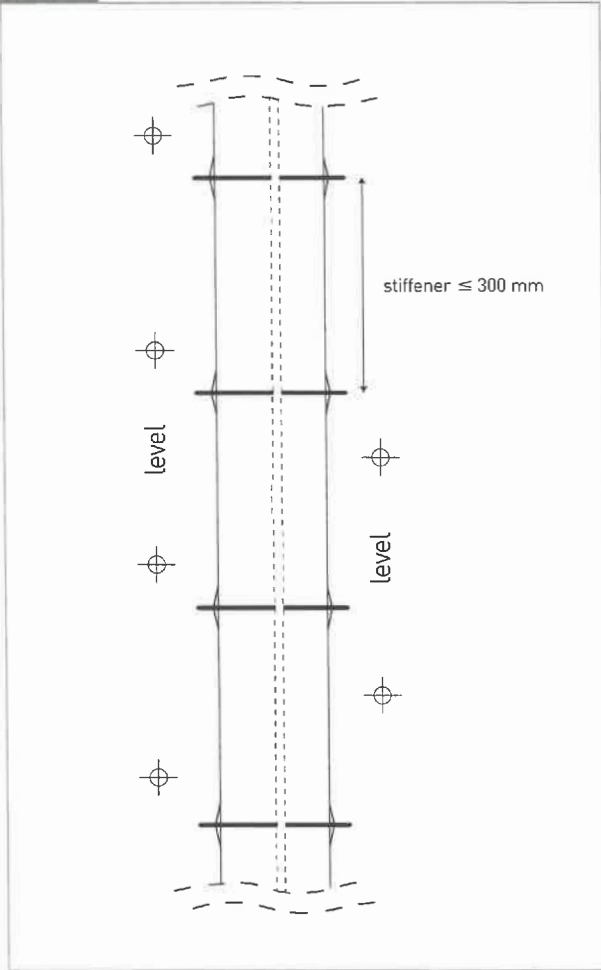
Stiffener: SeaRox FB/FM 6050 or SeaRox FB/FM 6030/6040

Date: 2021/10/25

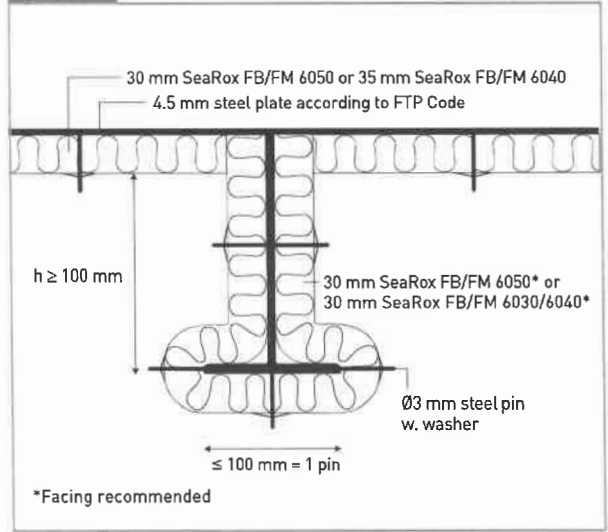
Designer: DG

Drawing No.210-3 / Rev 2

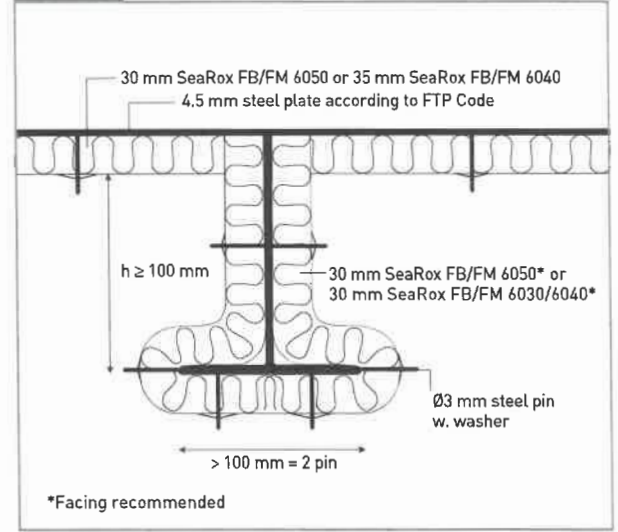
TOP VIEW



SECTION G



SECTION H



TECHNICAL INSULATION

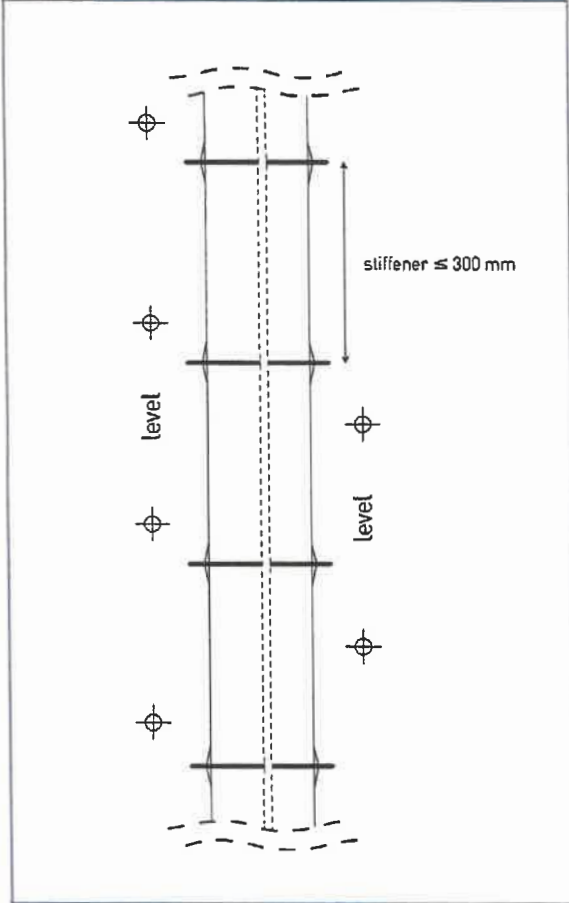


Subject: A-30 Steel Deck
Plate: SeaRox FB/FM 6050 or SeaRox FB/FM 6040
Stiffener: SeaRox FB/FM 6050 or SeaRox FB/FM 6030/6040

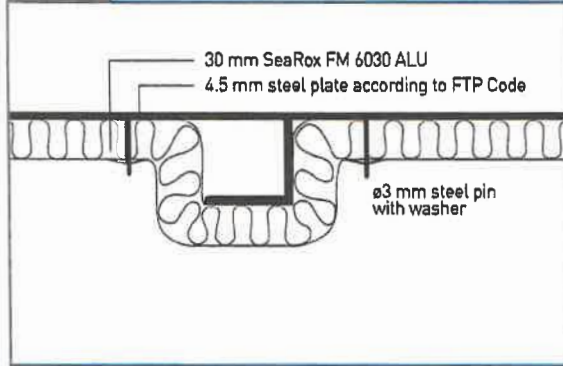
Date: 2021/10/25

Designer: DG Drawing No.210-4 / Rev 2

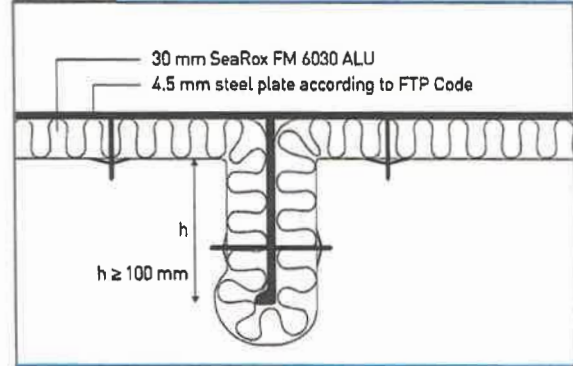
TOP VIEW



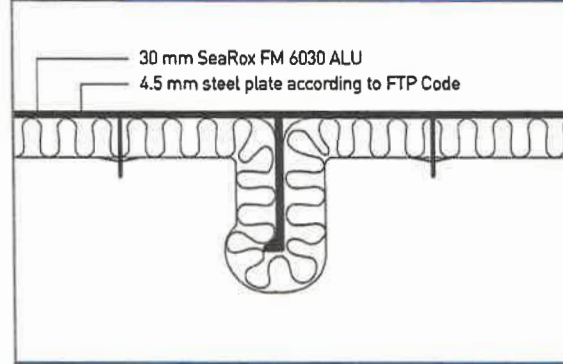
SECTION A



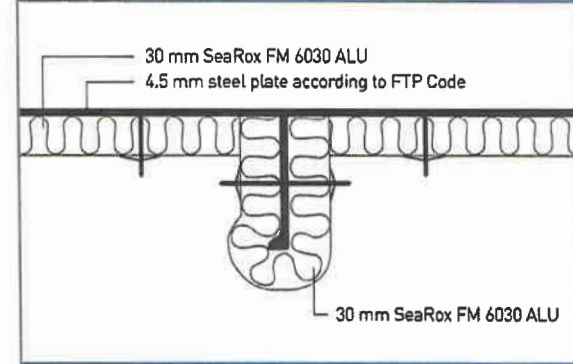
SECTION C



SECTION B



SECTION D



Danish Institute of Fire and Security Technology

File no. PHA 10841.D

[Handwritten signature]

Subject: A-30 Deck SeaRox FM 6030 ALU/ SeaRox FM 6030 ALU

Date: 2016/05/26

Designer: DG

Drawing No. 310-3

ROCKWOOL®

TECHNICAL INSULATION