

---

**Subject: A60 Floating Floor SeaRox SL 436**

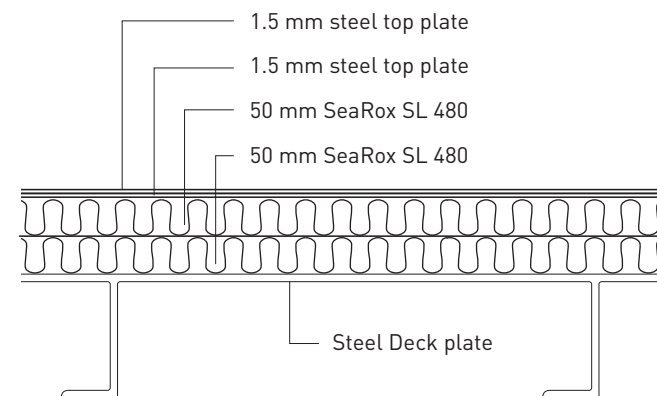
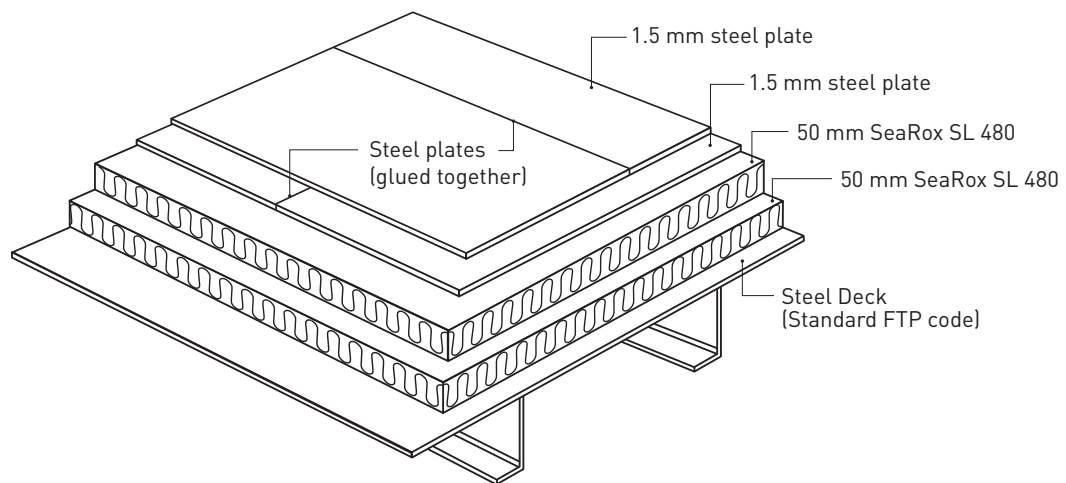
---

**Date: 2015/08/26**

Drawing No: R-018

**ROCKWOOL®**

**TECHNICAL INSULATION**



---

**Subject: A60 Floating Floor SeaRox SL 480**

**Date: 2015/10/19**

Drawing No: R-024

**ROCKWOOL®**

**TECHNICAL INSULATION**